

# PM Fiber-Q®

## Polarization Maintaining 1060 nm Fiber Coupled Acousto-Optic Modulator

T-M150-0.4C2G-3-F2P

The Fiber-Q® acousto-optic modulator is designed for use in pulsed fiber laser amplifier systems. Giving optimum performance in demanding applications, such as material processing.

Gooch & Housego specialize in providing optical components for high power fiber laser and amplifier systems. In-house control of critical manufacturing processes; from crystalline material selection and orientation, cutting, polishing and anti-reflection coating through to fiber coupling, ensure our components are of the highest optical quality.

In addition to the standard product shown, custom configurations are available for specialized applications.



### Key Features

- Low insertion loss
- Compact low profile package
- Rugged hermetic design
- Stable performance
- Custom configurations available

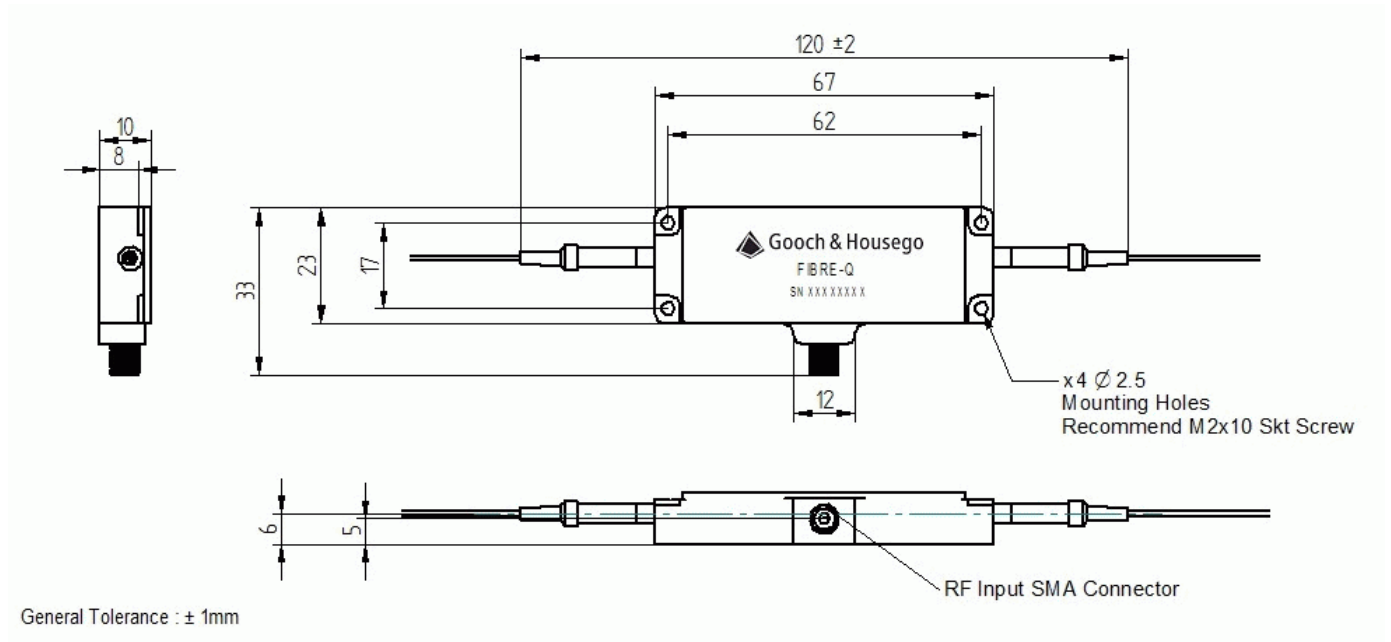
### Applications

- Fiber laser
- Fiber amplifier
- Pulse picker

POLARIZATION MAINTAINING 1060 NM FIBER COUPLED ACOUSTO-OPTIC MODULATOR

## General Specifications

Parameter	Min	Max	Typical	Comments
Interaction material	-	-	-	Tellurium Dioxide
Wavelength	1030 nm	1090 nm	1060 nm	Other wavelengths available on request
Average optical power handling	-	5 W	-	
Peak optical power handling	-	30 kW	-	Dependent on pulse width
Insertion loss	-	2.5 dB	2 dB	
Polarization extinction ratio	18 dB	-	20 dB	
Extinction ratio	50 dB	-	-	
Return loss (RF ON/RF OFF)	40 dB	-	-	
Rise-time/fall-time: (10% - 90%)	-	30 ns	-	
Frequency	-	-	150 MHz	
VSWR	-	1.2:1	-	
Input impedance	-	-	50 $\Omega$	
RF power	-	2 W	-	Absolute maximum rating. Higher power will cause damage.
Frequency shift	-	-	150 MHz	Upshift
Fiber type	-	-	-	Fujikura PM980 (SM98-PS-U25A) or equivalent
Fiber length	1.5 m	-	-	900 $\mu$ m PVDF sleeving
Fiber termination	-	-	-	Bare fiber



### Other products which may be of interest

- HI REL couplers
- High power multimode combiners
- Combiners with all types of signal feedthrough fiber
- Ultra-low ratio tap couplers
- WDMs for combining signals with red pointer lasers
- OCT wideband couplers